

SWIFT

New generation led flashing light

Simplicity and ease of installation:

Extremely simple to install thanks to the easy access to the connection area, it can be powered at both 24Vdc and 230Vac. The flashing light can be installed both on the wall and horizontally.

Design:

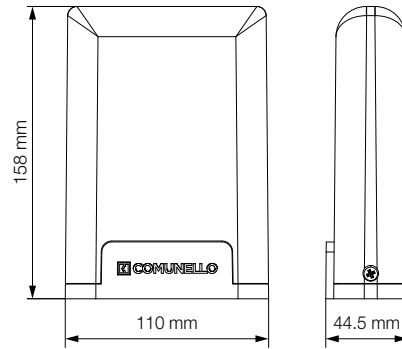
New captivating design: The Swift range is inspired by the concept of pure and discreet lines of the classic flashing warning lights.

Durability:

The board is protected by a painting against possible condensation or contact with insects. External stainless steel screws.

Bus Technology:

The bus technology allows you to name and manage the single flashing light.



SWIFT	GSWIFTSTLYB00A	Led flashing light 24 VDC / 230VAC	24V / 230V	IP 54	1	0,25 Kg

Integrated antenna



Card power supply both 24V and 230V



Cable passage arranged both at the bottom and at the rear of the flashing light.

The flashing light can be installed both on the wall and horizontally, without need of additional brackets.

