

DART

New generation outdoor photocells



Protection:

Electronics protected by a preassembled gasket on a dedicated housing.

Simplicity and ease of installation:

Cable passage arranged both at the bottom and at the rear of the photocell. Large space dedicated to wiring.

Design:

New attractive design with no visible screws

Adjustment:

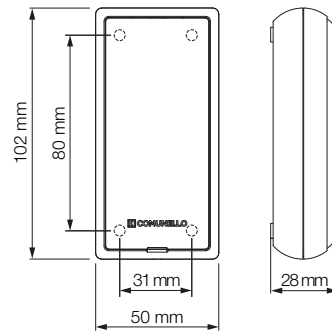
The slotted holes allow adjustment of the position even after installation

Duration:

High quality plastic material with anti-UV additives and embossed painting

Sync Version:

The DART SYNC version allows automatic synchronization between transmitter and receiver to avoid interference in systems with multiple pairs of photocells.



				IP	Range		
DART	GDARTSTDN0B00A	Pair of photocells with range up to 15 m	12V / 24V	IP 54	15m	1 Kit	0,15 Kg
DART SYNC	GDARTSTDN1B00A	Pair of photocells, synchronized version with range up to 20 m	12V / 24V	IP 54	20m	1 Kit	0,15 Kg

Fixing with 4 screws



A pre-assembled gasket protects the electronics from any entry of insects or water. This gasket also separates the card from the 4 fixing screws and the cable passage.

Large space dedicated to wiring

Slotted pre-holes allow adjustment of the position even after installation



Cable passage arranged both at the bottom and at the rear of the photocell.